

Motion Control



FAGOR's Intelligent Servo Drive System CMC / MMC Series

Positioning drive + PLC

Systems and motion control for industrial automation. Applicable to a great variety of market segments such as handling, packaging, special machinery, graphic arts, paper industry, woodworking industry, food, textile industry, glass, marble, automotive, machinery for plastics, rubber etc.

Compact System (CMC)

The intelligent FAGOR positioning drive can govern a motor autonomously. Without the need for additional modules, with fewer cables, without an external auxiliary power supply and it may be connected directly to mains. Its parameters are the same as those of the FAGOR compact drive and it runs just like it. There are compact drives for brushless AC servomotors (synchronous) and for induction motors (asynchronous) connected to the same power supply.



Compact servo drive / Positioning drive

MODEL	CMC				
	1.08	1.15	1.25	2.35	2.50
I nominal (Amp.)	4	7.5	12.5	17.5	25
I peak/0.5 sec.- (Amp)	8	15	25	35	50
Mains supply	3x400 VAC - 10% up to 460 VAC + 10%, 50/60 Hz.				
Internal Ballast resistor (Ohms)	75	75	-	-	-
Power (W) Ballast	150	150	-	-	-
Velocity feedback	Encoder				
Communication	RS-232 C / RS-422 / RS-485				
Supply for control circuits	2x400 VAC-15% up to 460 VAC+10%, 50/60 Hz.				
Service voltage (output)	24 Vdc (5%), 100 mA				
Protections	Overvoltage, overcurrent, overspeed, etc.				
PLC Module	Standard (24 VDC)				
Interface	Analogue or digital (SERCOS, CANopen or MOD BUS)				

Modular System (MMC)

The intelligent FAGOR positioning drive system lets you control several drive modules for Brushless AC servomotors (synchronous) and induction (asynchronous) motors connected to the same power supply.

Power supplies

MODEL	PS-65A	PS-25B	XPS-25	XPS-65	RPS-75	RPS-45	RPS-20
Mains	Three-phase 400 VAC - 10% up to 460 VAC +10%. 50/60 Hz.						
Output voltage	565-650 VDC			600, 625 or 725 V DC			
Maximum output power (Kw.)	65 Kw (195 kw, 1 sec)	25 Kw (75 Kw, 1 sec)	25 Kw (55 Kw, 1 sec)	65 Kw (108 kw, 1 sec)			
Nominal output current (Amp.)	120 A (360 A, 1 sec)	45 A (135 A, 1 sec)	45 A (135 A, 1 sec)	120 A (120 A, 1 sec)	120 A (156 A, 1 S6)	72 A (95 A, 1 S6)	32 A (41,6 A, S6)
Supply for control circuit	24 VDC (21-28 VDC)			Three-phase 50/60 Hz mains voltage range between 400 V AC - 10% and 460 V AC + 10%			
Power supply	Supplies 24 VDC (8 Amps) to the drives						
Internal crowbar resistance (Ballast)	9 / 600 w	16,5 / 500 w	18 / 520 w	9 / 1800 w			
Energy regeneration			20 Kw	54 Kw	20 Kw	45 Kw	75 Kw
Protections	Overvoltage, overcurrent, overspeed, etc.						



Modular Servo Drive / Positioning drives

MODEL	MMC 1.08	MMC 1.15	MMC 1.25	MMC 1.35	MMC 2.50	MMC 2.75	MMC 3.100	MMC 3.150	MMC 3.200
nom. Amp.	4	7.5	12.5	17.5	25	37.5	50	75	100
I peak (0.5 sec) Amp.	8	15	25	35	50	75	100	150	200
Power voltage input	456-800 VDC								
Supply for control circuits	24 VDC (21-28 VDC)								
Velocity feedback	Resolver or encoder								
Feedback type	PWM, AC sinewave								
Communication	RS-232 C / RS-422 / RS-485								
Interface	Analogue or digital (SERCOS, CANopen or MOD BUS)								
Status display	7 segment display								
PLC Module	Standard (24 VDC)								
Protections	Overvoltage, overcurrent, overspeed, etc.								

FAGOR Synchronous Brushless AC Motors FKM series

Among its many advantages, the following deserve a special mention:

- Easy mounting, with the possibility of rear mounting and a swivel connector that make it easy to adapt to any type of machine.

- Considerably smaller size for the same torque range.

- Protection degree: IP 64 or IP 65 with a seal (IEC-34-5).

- Temperature sensor: Thermistor PTC KTY-84 in the stator winding.

- Electrical connection: Swivel connectors for power and signal feedback.

- Types of construction: IMB5-V1-V3 (as recommended by IEC-34-3-72).

- Balancing: Class N (meets DIN45665).

- Standard shaft: Cylindrical, keyless and without keyway.

- Optional shaft with key and keyway: half-key balancing.

Note: The brake configuration does not alter the dimensions.



FAGOR Brushless AC Motors - FKM series (400 V)

	Stall torque (Nm)	Peak torque (Nm)	Stall current					Inertia (Kg.cm ²)	Weight (Kg.)
			3000 rpm.	4000 rpm.	4500 rpm.	5000 rpm.	6000 rpm.		
			I ₀ (Amp.)						
FKM 21	1.7	7					2.8	1.6	4.2
FKM 22	3.2	13	2.4				4	2.9	5.3
FKM 42	6.3	25	4.6		6.9			8.5	7.8
FKM 44	11.6	47	8.2	10.7				16.7	11.7
FKM 62	8.9	35	7.1	9.3				16	11.9
FKM 64	16.5	66	12.11	16.2				29.5	17.1
FKM 66	23,5	94	16,4					43	22,3

FAGOR Brushless AC Servomotors FXM series



- This series of synchronous permanent-magnet motors (SmCo) offers unmatched dynamic characteristics, sturdiness and great acceleration capability.

- Velocity feedback may be handled via encoder. It may also have a brake as an option.

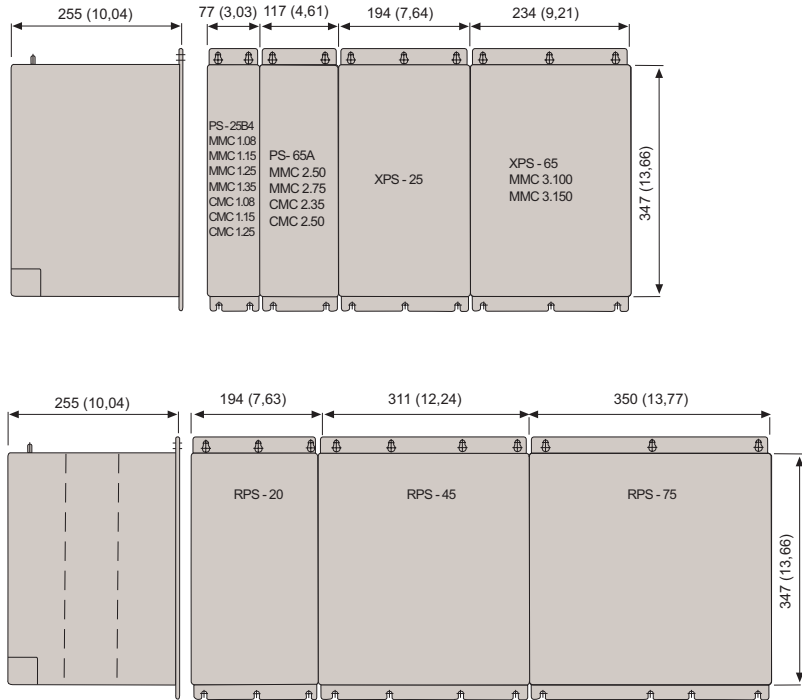
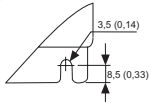
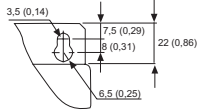
	Stall torque (Nm)	Peak torque (Nm)	Stall current				Inertia (Kg.cm ²)	Weight (Kg.)
			1200 rpm.	2000 rpm.	3000 rpm.	4000 rpm.		
			I ₀ (Amp.)					
FXM 11	1.2	6		0.45	0.67	0.9	1.2	3.3
FXM 12	2.3	11		0.86	1.29	1.72	1.9	4.3
FXM 13	3.3	16		1.23	1.85	2.5	2.6	6.4
FXM 14	4.1	20		1.55	2.3	2.1	3.3	7.6
FXM 31	2.6	13		0.97	1.45	1.92	3.5	5.5
FXM 32	5.1	25		1.89	2.8	3.8	6	7.5
FXM 33	7.3	36		2.7	4.1	5.5	8.5	9.6
FXM 34	9.3	46		3.4	5.1	6.9	11	11.5
FXM 53*	11.9	59	2.8	4.7	7.1	9.3	22	15.8 (20)
FXM 54*	14.8	74	3.5	5.9	8.7	11.8	29	17.8 (22)
FXM 55*	17.3	86	4.1	6.7	1.3	14.1	36	20 (24)
FXM 73*	20.8	104	4.9	8.2	12.3	16.5	61	29 (33)
FXM 74*	27.3	135	6.6	11.1	16.2	22.1	79	31.6 (36)
FXM 75*	33.6	165	8	13.3	19.9	26.6	97	36 (40)
FXM 76*	39.7	195	9.4	15.7	23.6	32.1	115	40 (44)
FXM 77*	45.6	225	11	17.8	29	36.6	133	43 (47)
FXM 78*	51.1	255	12.6	20.7	28.4	42.7	151	47 (51)

(*) Motor sizes 5 and 7 can provide about 50% higher torque with their optional electro-ventilation.

Note: See manual to select the peak torque in combination with the drive.

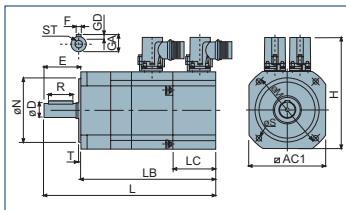
Compact System (CMC) and Modular System (MMC)

Dimensions in mm



FAGOR Synchronous Brushless AC Motors. FKM series

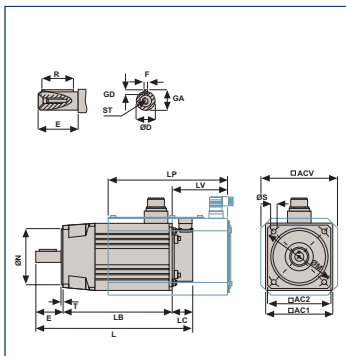
Dimensions in mm



TYPE	L	E	LB	LC	T	AC1	M	N	H	S	D	GA	GD	F	R	ST
FKM 21	208	40	168		3	97	100	80 j6	139.5	7	19 j6	21.5	6	6	30	M6x16
FKM 22	232		192													
FKM 42	247	50	197	54												
FKM 44	289		239		3.5	126	130	110 j6	168.5	9	24 j6	27	7	8	40	M8x19
FKM 62	260		202													
FKM 64	296	58	238			158	165	130 j6	200.5	12	32 k6	35	8	10	50	M10x22
FKM 66	332		274													

FAGOR Brushless AC Servomotors. FXM series

Dimensions in mm



TYPE	E	LB	BR (1)	T	AC1	AC2	M	N	S	D	GA	GD	F	R	ST	LP (2)	LV (2)	ACV (2)	LC (Encoder)
FXM 11		136																	
FXM 12	30	171	25	3	86	80	100	80 J6	7	14 J6	16	5	6	20	M5 x 12.5				
FXM 13		206																	
FXM 14		241																	
FXM 31		152																	
FXM 32	40	187	23	3	114	105	115	95 J6	10	19 J6	21,5	6	6	30	M6 x 16				
FXM 33		222																	
FXM 34		257																	
FXM 53		237																	
FXM 54	50	272	28	3,5	145	130	165	130 J6	12	24 J6	27	7	8	40	M8 x 19	259	128	165	46
FXM 55		307																	
FXM 73		256																	
FXM 74		291																	
FXM 75	58	321	41	4	185	180	215	180 J6	15	32 K6	35	8	10	50	M10 x 22	303	128	205	
FXM 76		361																	
FXM 77		396																	
FXM 78		431																	

(1) Add BR to the LB dimensions for motors with a brake.
 (2) Only on electro-ventilated models.

Other FAGOR products for motion control:

- 1 Multiaxis Motion Controller
- 2 Innova Intelligent Servo Drive System MCSi-MCPI Series Drives and FS Series Motors
- 3 FAGOR intelligent servo drive system, MCS-MCP-ACSD series
- 4 Asynchronous spindle motors: FM7
- 5 FAGOR feedback systems:
 - Absolute linear encoders
 - "Exposed" series linear encoders
 - High resolution rotary encoders



Fagor AUTOMATION is a cooperative enterprise that is part of Mondragón Corporation, the 7th largest business group in Spain.

This corporation is formed by more than 250 companies and more than 100,000 employees in 4 sectors: financial, industrial, distribution and knowledge (training and R&D centers).

Fagor Automation is integrated in the industrial area and focuses their efforts on increasing their presence in the traditional sectors where it operates as well as in other emerging industrial sectors: photovoltaic, metrology, semi-conductors, electro-medicine, etc. covering the current market needs for industrial automation. They have gained the confidence of a great number of manufacturers and users by investing 10% on R&D and exporting 80%. They have a solid commercial network in 50 countries with almost 30 subsidiaries or branch offices, more than 45 distributors and service centers.

FAGOR AUTOMATION shall not be held responsible for any printing or transcribing errors in this catalog and reserves the right to make any changes to the characteristics of its products without prior notice.

Fagor Automation S. Coop. (Mondragón)
 Bº San Andrés, 19 – P.O.Box 144
 E-20500 Arrasate-Mondragón, Spain
 Tel. 34 943 719 200
 34 943 039 800
 Fax: 34 943 791 712
 E-mail: info@fagorautomation.es
www.fagorautomation.com



ER-073/1994
ER-0968/1999



Fagor Automation S. Coop. (Usurbil)
 Bº San Esteban, s/n – Txoko Alde
 E-20170 Usurbil, Spain
 Tel. 34 943 71 92 00
 Fax: 34 943 360 527
 E-mail: usurbil@fagorautomation.es

EUROPE

- DE- Fagor Automation GmbH (Göppingen)**
 Tel. 49 7161 15 685-0 Fax: 49 7161 15 685 79
- ES- Fagor Automation Catalunya (Barcelona)**
 Tel. 34 934 744 375 Fax: 34 934 744 327
- FR- Fagor Automation France S.à.r.l. (Clermont Ferrand)**
 Tel. 33 473 277 916 Fax: 33 473 150 289
- GB- Fagor Automation UK Ltd. (West Midlands)**
 Tel. 44 1327 300 067 Fax: 44 1327 300 880
- IT- Fagor Italia S.R.L. (Milano)**
 Tel. 39 0295 301 290 Fax: 39 0295 301 298
- PO- Fagor Automation Ltda. (Leça da Palmeira)**
 Tel. 351 229 968 865 Fax: 351 229 960 719
- RU- Fagor Automation Russia (Moscow)**
 Tel. 7 926 795 29 12

AMERICA

- BR- Fagor Automation do Brasil Com. Imp. Exp. Ltda. (São Paulo)**
 Tel. 55 11 56 94 08 22 Fax: 55 11 56 81 62 71
- CA- Fagor Automation Ontario (Mississauga)**
 Tel. 1 905 670 74 48 Fax: 1 905 670 74 49
- Fagor Automation Quebec (Montreal)**
 Tel. 1 450 227 05 88 Fax: 1 450 227 61 32
- Fagor Automation Windsor (Canada)**
 Tel. 1 519 944 56 74 Fax: 1 519 944 23 69
- US- Fagor Automation Corp. (Chicago)**
 Tel. 1 847 98 11 500 Fax: 1 847 98 11 311
- Fagor Automation West Coast (California)**
 Tel. 1 714 957 98 85 Fax: 1 714 957 98 91
- Fagor Automation East Coast (New Jersey)**
 Tel. 1 973 773 35 25 Fax: 1 973 773 35 26
- Fagor Automation Ohio Branch (Ohio)**
 Tel. 1 614 855 5720 Fax: 1 614 855 5928
- Fagor Automation South East (Florida)**
 Tel. 1 813 654 45 99 Fax: 1 813 654 3387

ASIA

- CN- Beijing Fagor Automation Equipment Co., Ltd. (Beijing)**
 Tel. 86 10 84505858 Fax: 86 10 84505860
- Beijing Fagor Automation Equipment Ltd. (Nanjing)**
 Tel. 86 25 83 32 82 59 Fax: 86 25 83 32 82 60
- Beijing Fagor Automation Equipment Ltd. (Chengdu)**
 Tel. 86 28 66 13 20 81 Fax: 86 28 66 13 20 82
- Beijing Fagor Automation Equipment Co., Ltd. (Guangzhou)**
 Tel. 86 20 86 55 31 24 Fax: 86 20 86 55 31 25
- Beijing Fagor Automation Equipment Co., Ltd. (Shanghai)**
 Tel. 86 21 63 53 90 07 Fax: 86 21 63 53 88 40
- HK- Fagor Automation (Asia) Ltd., (Hong Kong)**
 Tel. 852 23 89 16 63 Fax: 852 23 89 50 86
- IN- Fagor Control System Pvt. Ltd. (Bangalore)**
 Tel. +91 (0)8042682828 Fax: +91 (0)8042682816
- KR- Fagor Automation Korea, Ltd. (Seoul)**
 Tel. (822) 21130341 / 2113 0342 Fax: (82 2) 2113 0343
- MY- Fagor Automation (M) SDN.BHD. (Kuala Lumpur)**
 Tel. 60 3 8062 2858 Fax: 60 3 8062 3858
- SG- Fagor Automation (S) Pte. Ltd. (Singapore)**
 Tel. 65 68417345 / 68417346 Fax: 65 68417348
- TW- Fagor Automation Taiwan Co. Ltd. (Taichung)**
 Tel. 886 4 23851558 Fax: 886 4 23851598

Fagor Automation holds the ISO 9001 Quality System Certificate and the CE Certificate for all its products.



FAGOR AUTOMATION

Worldwide reliability